

Fig. 476 Top Block

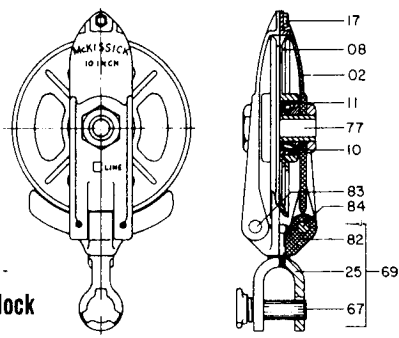


Fig. 475 Floor Block

Description	Ref. No.	7" 475	10" 475	12" 475	14" 475
		Part No.	Part No.	Part No.	Part No.
Side Plate	01	14040	14102	14219	14264
Side Plate	02	14068	14102	14219	14264
Sheave w/TB	08	480759(1/16)	481259(1/16)	481534(1/16)	481776(5/16)
Sheave w/TB	08	480740(3/16)	481277(5/16)	481561(5/16)	481794(3/8)
Tapered Brg. Assy.	10	600291	600308	600308	600308
Sheave Grease Seal	11	19973	20097	20097	20097
Upper Bolt Assy.	17	141233	141000	141000	141000
Swivel Hanger w/o Pin	25	30889	30745	30745	30745
Hanger Pull Pin Assy.	67	—	135703	135703	135703
Hanger Assy. w/Pin	69	109055	109340	109082	109411
Center Pin Assy.	77	109117	109448	109448	109448
Guard Trunion	82	14031	30709	30718	30727
Lower Bolt Assy.	83	141251	30834	30834	30825
Locking Pin Assy.	84	109171	109144	109144	109144

Description	Ref. No.	7" 476	10" 476	12" 476	14" 476
		Part No.	Part No.	Part No.	Part No.
Side Plate	02	14059	14111	14228	14273
Sheave w/TB	08	480759(1/16)	481259(1/16)	481534(1/16)	481776(5/16)
Sheave w/TB	08	480740(3/16)	481277(5/16)	481561(5/16)	481794(3/8)
Tapered Brg. Assy.	10	600291	600308	600308	600308
Sheave Grease Seal	11	19973	20097	20097	20097
Upper Hinge Bolt	15	141073	141215	141215	141215
Lower Bolt	17	141251	30834	30834	30834
Stinger Pin	22	30898	30852	30852	30852
Upper Guard	42	14077	14139	14237	14282
Upper Pull Pin Assy.	67	109180	135696	135696	135696
Center Tube Assy.	77	109117	109448	109448	109448

Parts for McKissick No. 477 Well Logging Block

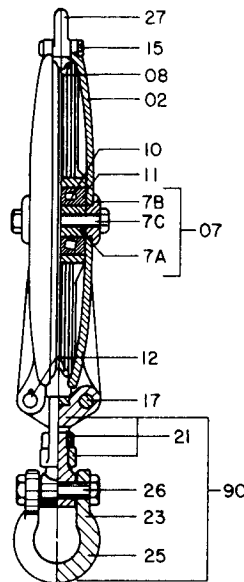


Fig. 477 Well Logging Block

Description	Ref. No.	14" 477	20" 477	24" 477
		Part No.	Part No.	Part No.
Housing Plate	02	14399	14549	73477
Center Pin Assy. TB	07	118241	118241	126063
Center Tube	7A	73342	73342	73422
Center Tube Cap	7B	73351	73351	73431
Center Pin	7C	116047	116047	116136
Sheave w/TB	08	481954(1/4)	483033(1/4)	483765(3/8)
Sheave w/TB	08	481945(3/8)	482953(5/16)	483783(3/8)
Tapered Brg. Assy.	10	600264	600264	600273
Sheave Grease Seal	11	19982	19982	20033
Locking Pin Assy.	12	109144	109144	116109
Upper Bolt w/Nuts	15	141251	141251	141251
Lower Bolt w/Nuts	17	573392	573392	125714
Tee and Yoke Assy.	21	116029	116029	116127
Clevis w/Nut	25	105576	105576	105601
Clevis Bolt	26	105594	105594	105629
Handle Assy.	27	116038	116038	116038
Tee Assy./Complete	90	159054	159054	—